

# TITAN

---

# FORKLIFTS

[www.titanliftrucks.com](http://www.titanliftrucks.com)

8 6 6 . 9 1 6 . 5 4 3 8

**TITAN**  
**G-SERIES**  
**BOX CAR**  
**SPECIAL**  
**(BCS)**  
FORKLIFT

IN PROPANE GAS OR DIESEL POWER

**5000LB Capacity**

**Legendary Titan Quality**

**Productivity & Reliability**

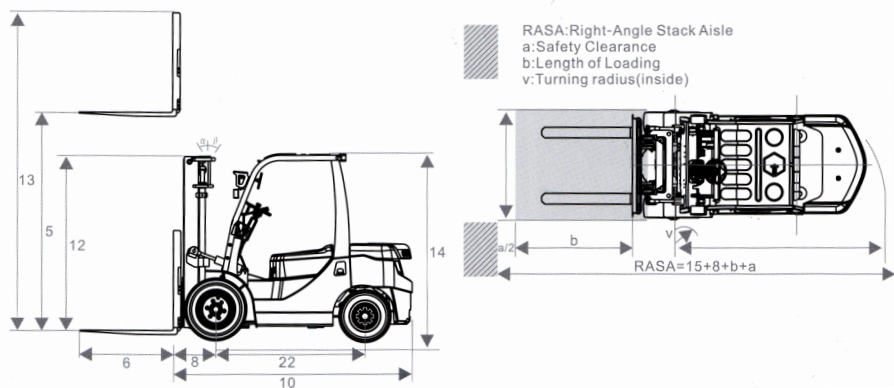
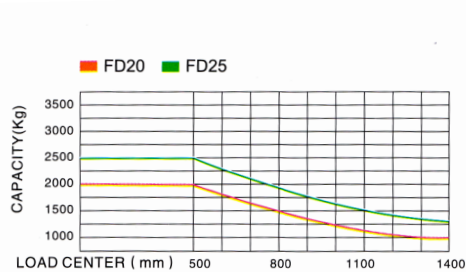
**Powerful Performance**

**Security & Comfort**



**All Titan Products meet and exceed  
ASME B56-1 and CSA B 335 Standards**

General	1	Model		FD25	FG25	
	2	Power Type		Gas/LPG	Gas/LPG	
	3	Rated Capacity		kg 2500	2500	
	4	Load Centre		mm 500	500	
Characteristic & Dimension	5	Lift Height		mm 3000-4800	3000-4800	
	6	Fork Size	LXWXT	mm 1070x120x40	1070x120x40	
	7	Mast Tilt Angle	F/R	Deg 6°/12°	6°/12°	
	8	Front Overhang (Wheel center to fork face)		mm 470	470	
	9	Ground Clearance (bottom of mast)		mm 120	120	
	10-14	Overall Dimension	Length to face of fork (without fork)		mm 2439	2439
			Overall Width		mm 1150	1150
			Mast Lowered Height		mm 2055	2055
			Mast Extended Height (with backrest)		mm 4860	4860
			Overhead Guard Height		mm 2070	2070
	15	Turning Radius (outside)		mm 2310	2310	
16	Min. Insecting Aisle		mm 2380	2380		
Performance	17-18	Speed	Travel (empty load)	km/h 19	19	
			Lifting (full load)	mm/s 550	550	
	19	Max. Gradeability		% 20	20	
Chassis	20-21	Tire	Front	7.00-12-12 PR	7.00-12-12 PR	
			Rear	6.00-9-10 PR	6.00-9-10 PR	
	22	Wheelbase		mm 1600	1600	
	23	Service Weight		kg 3700	3700	
Power & Transmission	24	Batter	Voltage/Capacity	V/ah 12/80	12/80	
	25-29	Engine	Model	4TNE92 / B3.3-C65	K25 OR 3L	
			Manufacture	YANMAR / CUMMINS		NISSAN OR GM
			No. of Cylinder	4	4	
			Fuel Tank Capacity	L 60	60	
	33-34	Japanese Transmission	Type	Hydraulic	Hydraulic	
			Stage FWD/RVS	1/1	1/1	
	35	Operating Pressure for Attachment		Mpa 17.5	17.5	



# TITAN FORKLIFTS

Chatham, ON Canada | 866.916.5438

ISO9001  
CERTIFIED

ASME  
B56.1-2017

SGS  
APPROVED

Proud to be your authorized Titan Forklift Representative